



MAIN FEATURES



STANDARD MANIFOLD
Nodular cast iron



CONNECTING ROD
Aluminum forged, reinforced with bushing.



CHECKING VALVE
High volumetric efficiency, features spherical sealing areas.



OPTIONAL MATERIAL
Brass forged, Stainless steel 316L, Duplex 2205



PLUNGER
Solid ceramic tube, features high precision and wear-resistance



CRANKSHAFT
Forged steel alloy, heat treatment, multiple process grinded.



CRANKCASE
Die-cast aluminum alloy, anodized.



PACKING
PARKER High-low dual pressure packing, with integrated cooling



APPLICATIONS
Municipal, environmental, mining sea water RO, food, drink, chemical, pharmaceutical etc.

Applicable Valves

UNLOADER VALVE(#6)

Max Pressure: 206bar/3000psi(Brass)
280bar/4060psi(stainless steel)
Max Flow: 200LPM/53GPM
Inlet, Outlet, Bypass Port: 1"



SAFETY VALVE

Max Pressure: 206bar/3000psi, 280bar/4060psi
Max Flow: 200LPM/53GPM
Inlet Port: 3/4" Bypass Port: 1/2"
Brass forged body,
stainless valve core and seat

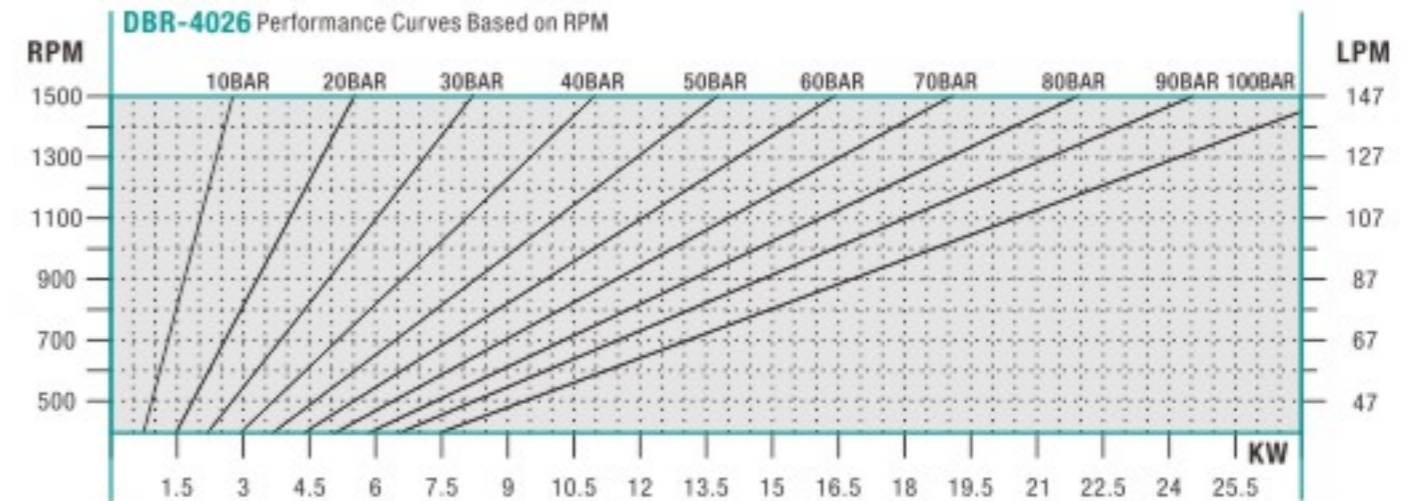


Importance

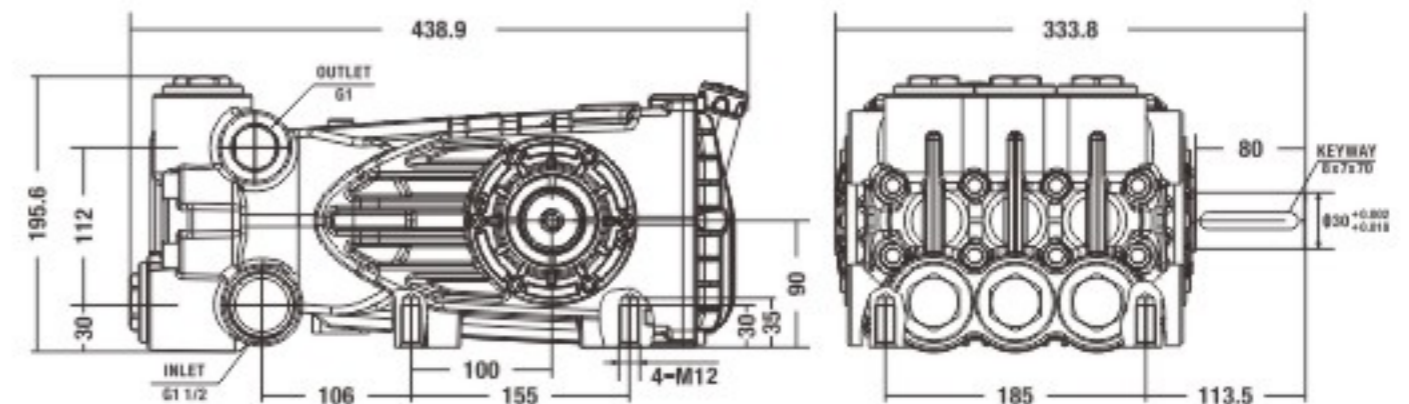
- Inlet Port: 1 1/4" BSP
- Outlet Port: 1" BSP
- Oil Bath Capacity: 2500ml (half level of oil gauge)
- Oil Type: 85W/90 or greater GEAR OIL
- Water Inlet Pressure: 0-50psi/3.5bar
- Max Inlet Water Temp: 50 °C/122 °F

Other Versions

Brass Pump Manifold



PUMP MODEL	MAX FLOW		MAX PRESSURE		INPUT RPM	POWER REQUIRED		SHIPPING WEIGHT		SHIPPING SIZE
	GPM	LPM	PSI	BAR		HP	KW	KGS	LBS	
DBR-4026	28.3	107	1450	100	1100	28	21	45	99.2	46.5x35x25
DBR-4026	33.5	127	1450	100	1300	34	25			
DBR-4026	37.5	142	1450	100	1450	36	27			
DBR-3625	22.2	84	1900	130	1100	29	22	45	99.2	46.5x35x25
DBR-3625	26.4	100	1740	120	1300	32	23.5			
DBR-3625	29.1	110	1600	110	1450	33	24			





MAIN FEATURES

<p>STANDARD MANIFOLD Stainless steel 420</p> <p>CRANKCASE Die-cast aluminum alloy, anodized.</p> <p>CONNECTING ROD Aluminum forged, reinforced with bushing.</p>	<p>PLUNGER Solid ceramic tube, features high precision and wear-resistance</p> <p>PACKING PARKER High-low dual pressure packing, with integrated cooling</p> <p>CHECKING VALVE High volumetric efficiency, features spherical sealing areas.</p>	<p>CRANKSHAFT Forged steel alloy, heat treatment, multiple process grinded.</p> <p>Symmetrical power end allows for easy left to right shaft conversion.</p>
---	---	---

Applicable Valves

UNLOADER VALVE(#6)

Max Pressure: 206bar/3000psi(Brass)
280bar/4060psi(stainless steel)
Max Flow: 200LPM/53GPM
Inlet, Outlet, Bypass Port: 1"



SAFETY VALVE

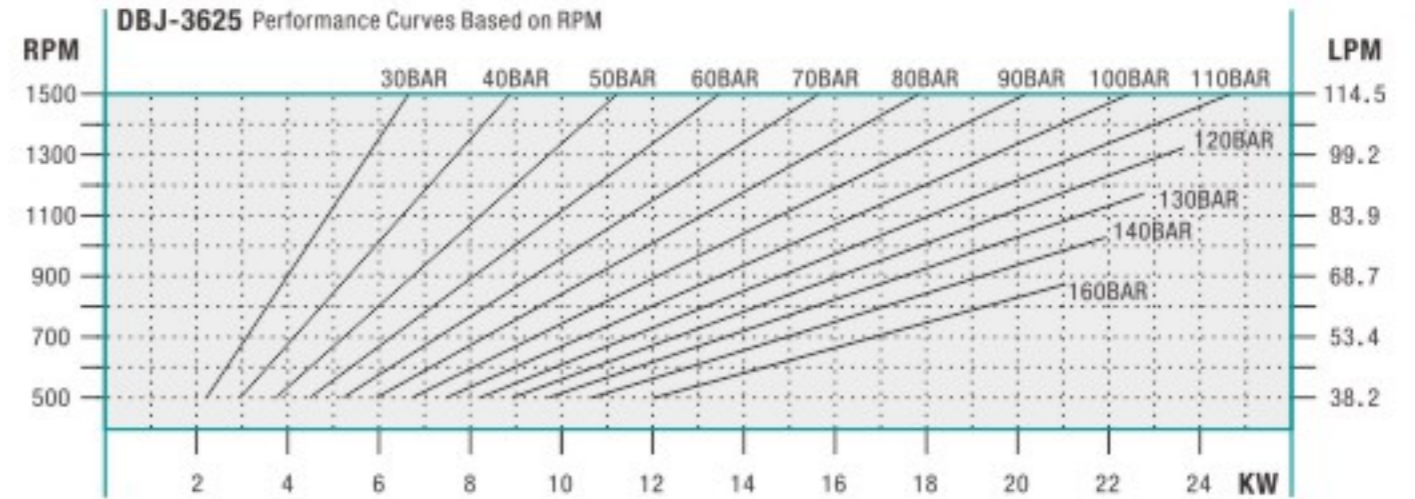
Max Pressure: 206bar/3000psi, 280bar/4060psi
Max Flow: 200LPM/53GPM
Inlet Port: 3/4" Bypass Port: 1/2"
Brass forged body, stainless valve core and seat



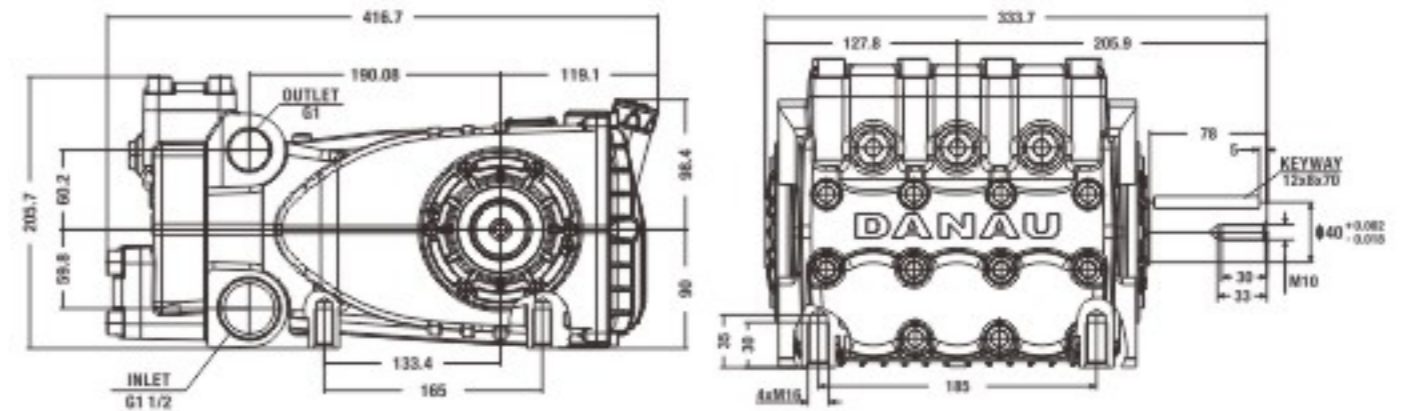
Importance

- Inlet Port: 1 1/2" BSP
- Outlet Port: 1" BSP
- Oil Bath Capacity: 2500ml (half level of oil gauge)
- Oil Type: 85W/90 or greater GEAR OIL
- Water Inlet Pressure: 0-50psi/3.5bar
- Max Inlet Water Temp. 50°C/122°F

Cutaway View



PUMP MODEL	MAX FLOW		MAX PRESSURE		INPUT RPM	POWER REQUIRED		SHIPPING WEIGHT		SHIPPING SIZE
	GPM	LPM	PSI	BAR		HP	KW	KGS	LBS	
DBJ-3625	22.2	84	1900	130	1100	29	22	45	99.2	46.5x35x25
DBJ-3625	26.4	100	1740	120	1300	32	23.5			
DBJ-3625	29.1	110	1600	110	1450	33	24			





MAIN FEATURES

-  **STANDARD MANIFOLD**
Forged stainless steel 420
-  **CONNECTING ROD**
Aluminum forged, reinforced with bushing.
-  **CHECKING VALVE**
High volumetric efficiency, features spherical sealing areas.
-  **OPTIONAL MATERIAL**
Nodular cast iron, Stainless steel 316L, Duplex 2205
-  **PLUNGER**
Solid ceramic tube, features high precision and wear-resistance
-  **CRANKSHAFT**
Forged steel alloy, heat treatment, multiple process grinded.
-  **CRANKCASE**
Die-cast aluminum alloy, anodized.
-  **PACKING**
PARKER High-low dual pressure packing, with integrated cooling
-  **APPLICATIONS**
Municipal, environmental, mining sea water RO, food, drink, chemical, pharmaceutical etc.

Applicable Valves

UNLOADER VALVE(#6)

Max Pressure: 206bar/3000psi(Brass)
280bar/4060psi(stainless steel)
Max Flow: 200LPM/53GPM
Inlet, Outlet, Bypass Port: 1"



SAFETY VALVE

Max Pressure: 206bar/3000psi, 280bar/4060psi
Max Flow: 200LPM/53GPM
Inlet Port: 3/4" Bypass Port: 1/2"
Brass forged body, stainless valve core and seat



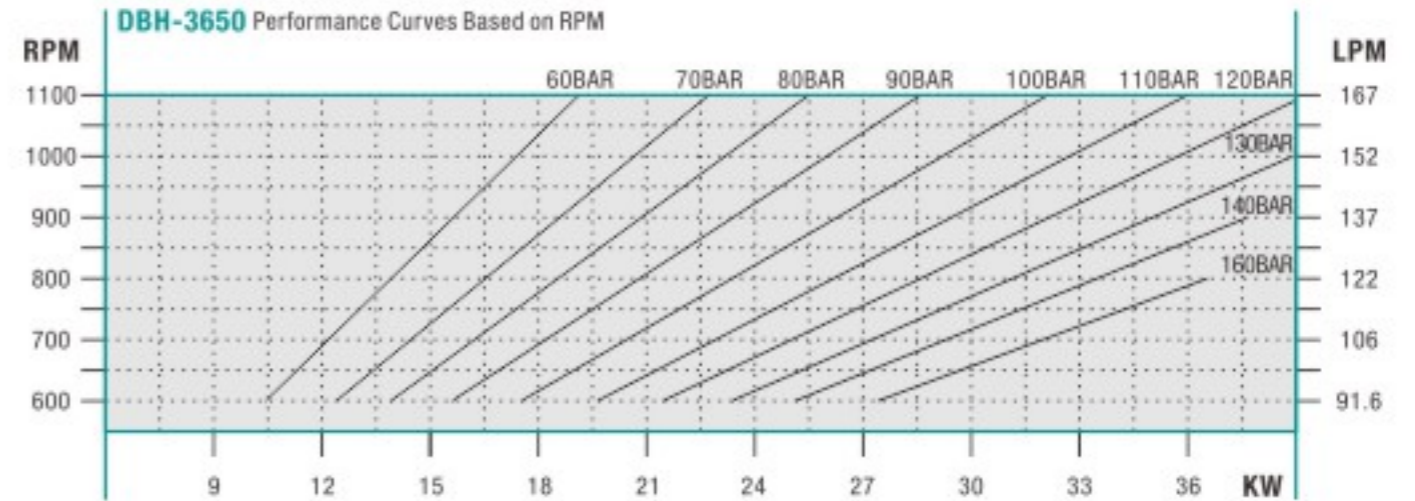
Importance

- Inlet Port: 1 1/2" BSP
- Outlet Port: 1" BSP
- Oil Bath Capacity: 3800ml (half level of oil gauge)
- Oil Type: 85W/90 or greater GEAR OIL
- Water Inlet Pressure: 0-50psi/3.5bar
- Max Inlet Water Temp: 50°C/122°F

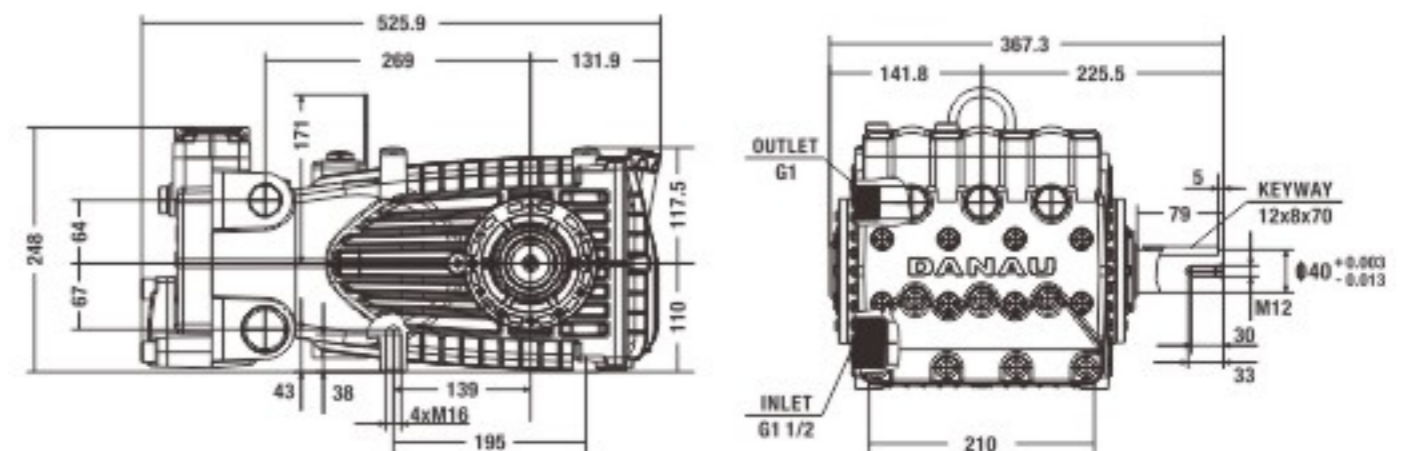
Other Versions

Gearbox reduction version

Aluminum alloy precision die casting housing, anodized. High-grade helical gear.
Reduction ratio:
NO.1(1.82:1), NO.2 (2.26:1), NO.3(2.94:1)



PUMP MODEL	MAX FLOW		MAX PRESSURE		INPUT RPM	POWER REQUIRED		SHIPPING WEIGHT		SHIPPING SIZE CM
	GPM	LPM	PSI	BAR		HP	KW	KGS	LBS	
DBH-4050	39.6	150	1890	130	800	50	37	74	163.1	58x40x28
DBH-4050	44.6	169	1740	120	900	52	38.5			
DBH-3650	32.2	122	2320	160	800	50	37	74	163.1	58x40x28
DBH-3650	36.2	137	2030	140	900	50	37			
DBH-3650	40.4	153	1890	130	1000	52	38.2			
DBH-3050	22.2	84	3340	230	800	50	37	74	163.1	58x40x28
DBH-3050	25.1	95	3050	210	900	52	38			
DBH-3050	28	106	2760	190	1000	52	38			








MAIN FEATURES

-  **STANDARD MANIFOLD**
Stainless steel 420
-  **PLUNGER**
Ceramic coating, features high precision and wear-resistance
-  **CRANKSHAFT**
Forged steel alloy, heat treatment, multiple process grinded.
-  **CRANKCASE**
Die-cast aluminum alloy, anodized.
-  **PACKING**
PARKER High-low dual pressure packing, with integrated cooling
-  **CHECKING VALVE**
High volumetric efficiency, features spherical sealing areas.
-  **CONNECTING ROD**
Aluminum forged, reinforced with bushing.
-  Symmetrical power end allows for easy left to right shaft conversion.

Applicable Valves

-  **UNLOADER VALVE(#12)**
Max Pressure: 700bar/10150psi
Max Flow: 80LPM/21GPM
Inlet, Outlet, Bypass Port: G1/2"
Pressure Gauge Port: G1/4"



-  **UNLOADER VALVE(#6-SS)**
Max Pressure: 280bar/4060psi
Max Flow: 200LPM/53GPM
Inlet, Outlet, Bypass Port: 1"
-  **SAFETY VALVE**
Max Pressure: 560bar/8100psi
Max Flow: 100LPM/26.4GPM
Inlet Port: 1/2" Bypass Port: 1/2"

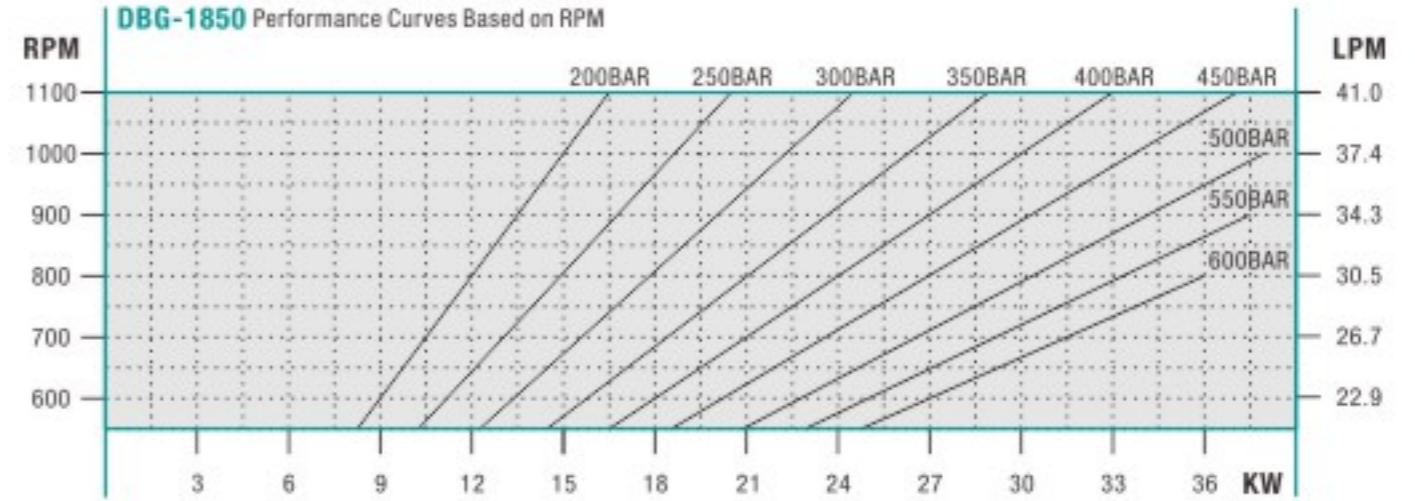


Importance

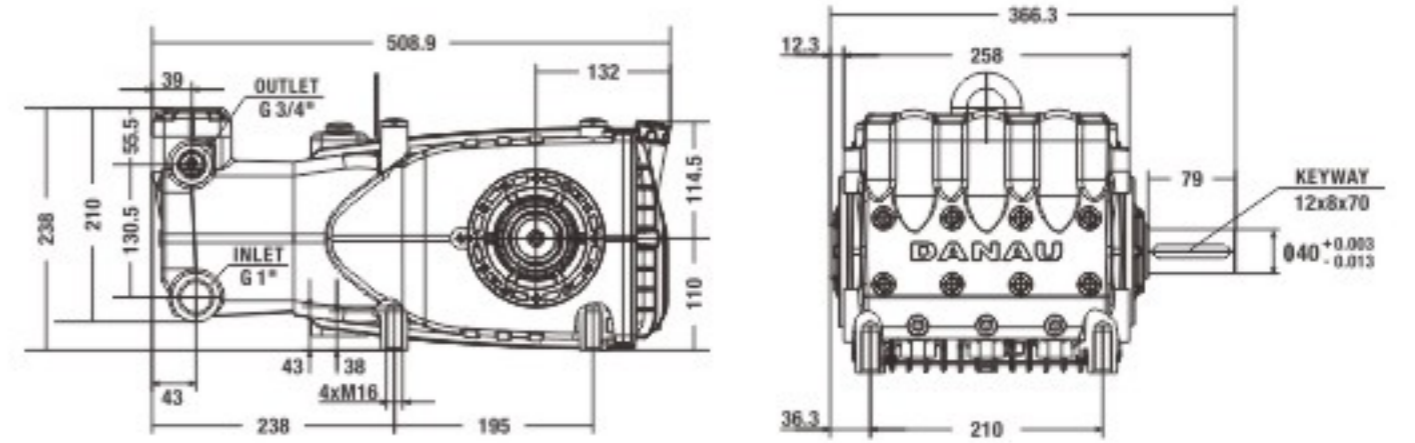
-  Inlet Port: 1 1/2" BSP
-  Outlet Port: 1" BSP
-  Oil Bath Capacity: 3800ml (half level of oil gauge)
-  Oil Type: 85W/90 or greater GEAR OIL
-  Water Inlet Pressure: 0-50psi/3.5bar
-  Max Inlet Water Temp: 50°C/122°F

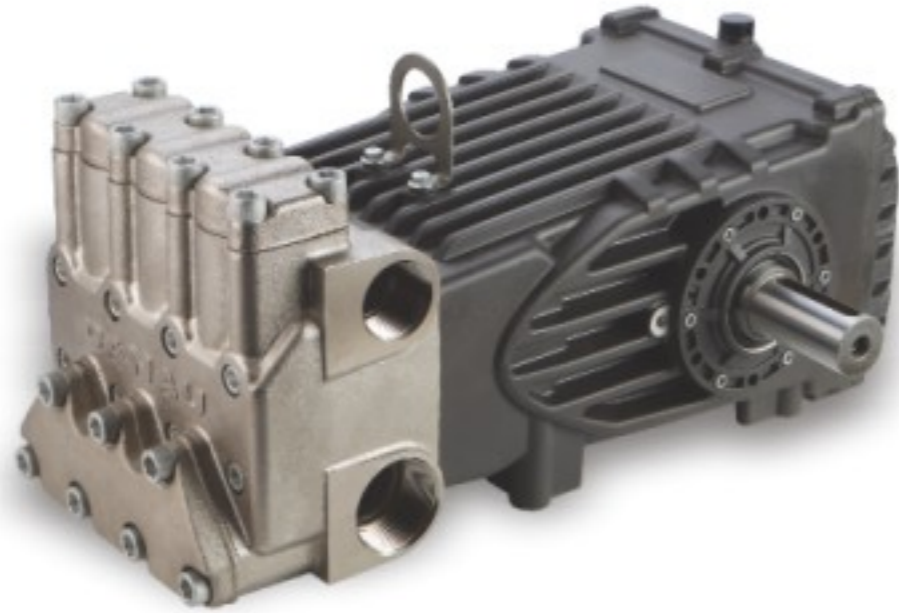
Other Versions

-  **Gearbox reduction version**
Aluminum alloy precision die casting housing, anodized. High-grade helical gear.
Reduction ratio:
NO.1(1.82:1), NO.2 (2.26:1), NO.3(2.94:1)



PUMP MODEL	MAX FLOW		MAX PRESSURE		INPUT RPM	POWER REQUIRED		SHIPPING WEIGHT		SHIPPING SIZE
	GPM	LPM	PSI	BAR		HP	KW	KGS	LBS	
DBG-1650	6.3	24	11600	800	800	50	37	66	145.5	58x40x28
DBG-1650	7.1	27	10440	720	900	50	37			
DBG-1650	7.9	30	9430	650	1000	50	37			
DBG-1850	7.9	30	8700	600	800	50	37	66	145.5	58x40x28
DBG-1850	9.1	34.5	7980	550	900	50	37			
DBG-1850	10	38	7250	500	1000	50	37			
DBG-2550	15.6	59	4790	330	800	50	37	66	145.5	58x40x28
DBG-2550	17.4	66	4350	300	900	50	37			
DBG-2550	19.4	73.6	3770	260	1000	50	37			
DBG-2850	19.5	73.8	3920	270	800	51	37.7	66		58x40x28
DBH-2850	21.9	83	3480	240	900	51	37.7			
DBH-2850	24.3	92	3190	220	1000	52	38			





MAIN FEATURES

- STANDARD MANIFOLD**
Nodular cast iron
- CONNECTING ROD**
Aluminum forged, reinforced with bushing.
- CHECKING VALVE**
High volumetric efficiency, features spherical sealing areas.
- OPTIONAL MATERIAL**
Stainless steel 316L, Duplex 2205
- PLUNGER**
Solid ceramic tube, features high precision and wear-resistance
- CRANKSHAFT**
Forged steel alloy, heat treatment, multiple process grinded.
- CRANKCASE**
Die-cast aluminum alloy, anodized.
- PACKING**
PARKER High-low dual pressure packing, with integrated cooling
- APPLICATIONS**
Municipal, environmental, mining sea water RO, food, drink, chemical, pharmaceutical etc.

Applicable Valves

- UNLOADER VALVE(#11)**
Max Pressure: 230bar/3330psi (Stainless Steel)
Max Flow: 500LPM/132GPM
Inlet/Outlet: 1 1/2"
Bypass Port: 1 1/2"



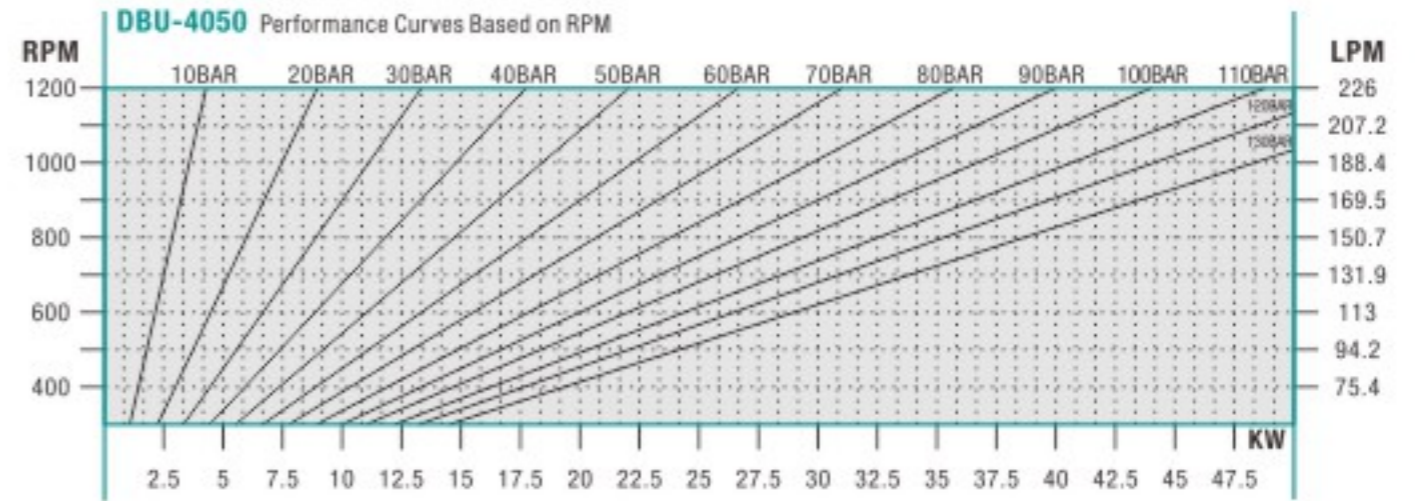
- SAFETY VALVE**
Max Pressure: 206bar/3000psi, 280bar/4060psi
Max Flow: 200LPM/53GPM
Inlet Port: 3/4" Bypass Port: 1/2"
Brass forged body, stainless valve core and seat



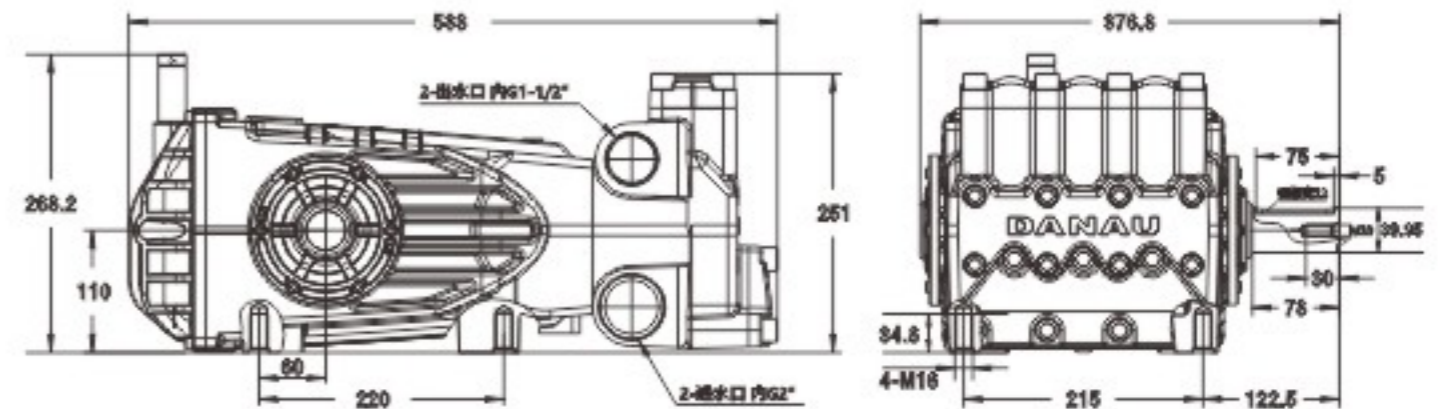
Importance

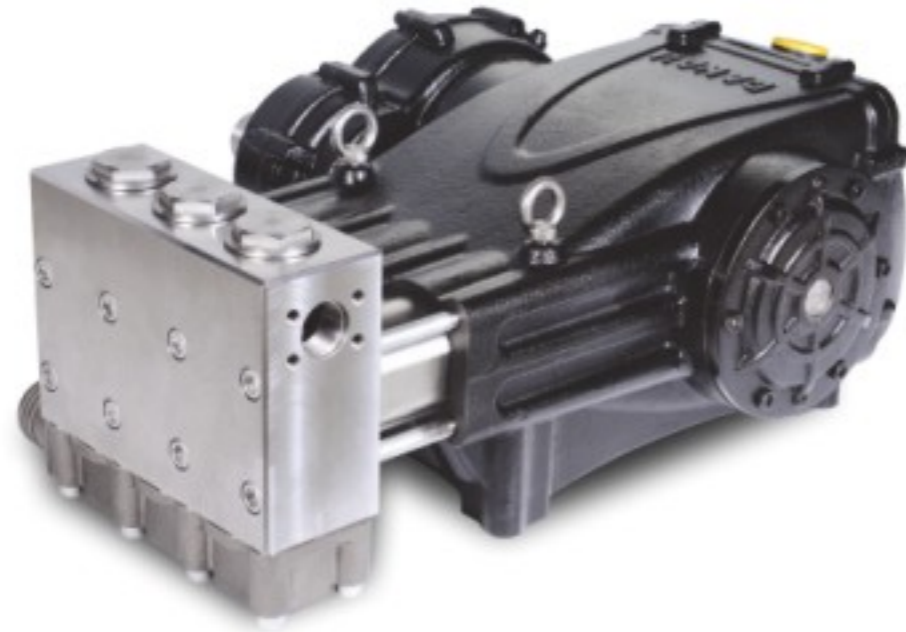
- Inlet Port: 1 1/2" BSP
- Outlet Port: 1" BSP
- Oil Bath Capacity: 4500ml (half level of oil gauge)
- Oil Type: 85W/90 or greater GEAR OIL
- Water Inlet Pressure: 0-50psi/3.5bar
- Max Inlet Water Temp: 50°C/122°F

Cutaway View



PUMP MODEL	MAX FLOW		MAX PRESSURE		INPUT RPM	POWER REQUIRED		SHIPPING WEIGHT		SHIPPING SIZE
	GPM	LPM	PSI	BAR		HP	KW	KGS	LBS	
DBU-3650	47.8	181	1960	135	1190	65	55	85	187.4	60x38x25
DBU-3650	44.1	167	2180	150	1100	65	55			
DBU-3650	40.4	153	2320	160	1000	65	55			
DBU-4050	59.1	224	1600	110	1190	65	55	85	187.4	60x38x25
DBU-4050	54.6	207	1740	120	1100	65	55			
DBU-4050	49.6	188	1890	130	1000	65	55			





MAIN FEATURES

<p>MANIFOLD Forged stainless steel 420</p> <p>OPTIONAL MATERIAL Nodular cast iron. Stainless steel 316L, Duplex 2205</p> <p>CRANKCASE Die-cast aluminum alloy, anodized.</p>	<p>CONNECTING ROD Aluminum forged, reinforced with bushing.</p> <p>PLUNGER Solid ceramic tube, features high precision and wear-resistance</p> <p>PACKING PARKER High-low dual pressure packing, with integrated cooling</p>	<p>CHECKING VALVE High volumetric efficiency, features spherical sealing areas.</p> <p>CRANKSHAFT Forged steel alloy, heat treatment, multiple process grinded.</p> <p>APPLICATIONS Municipal, environmental, mining sea water RO, food, drink, chemical, pharmaceutical etc.</p>
---	---	--

Applicable Valves

- **UNLOADER VALVE(#11)**
Max Pressure: 230bar/3330psi (Stainless Steel)
Max Flow: 500LPM/132GPM
Inlet/Outlet: 1 1/2"
Bypass Port: 1 1/2"



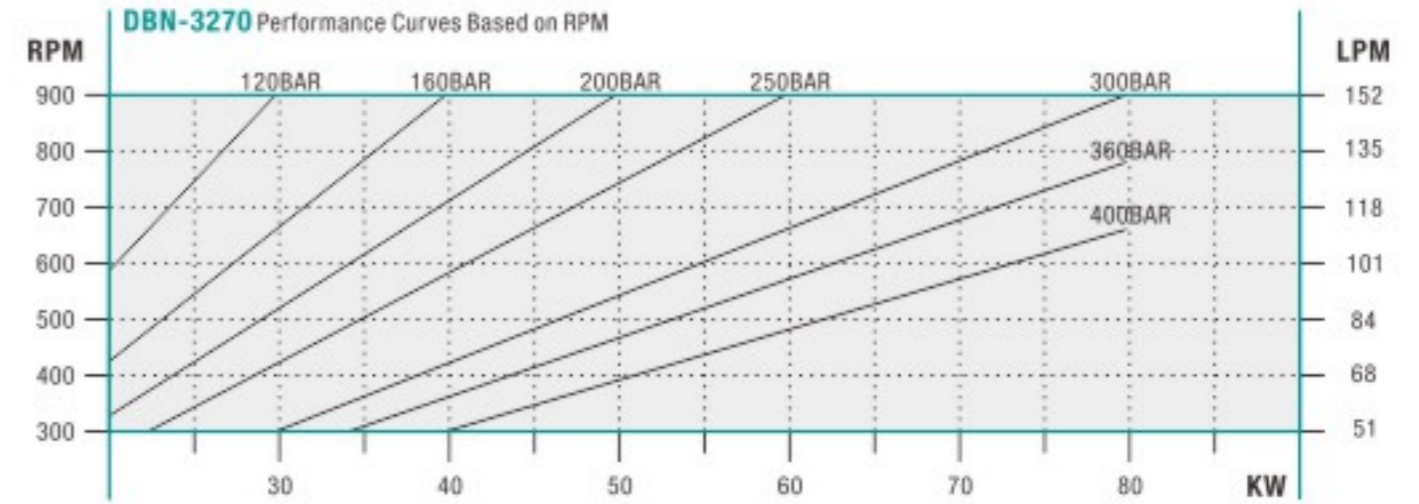
Other Versions

- **Gearbox reduction version**
Nodular cast iron case, black painting.
High-grade helical gear.
Reduction ratio: 1.82:1

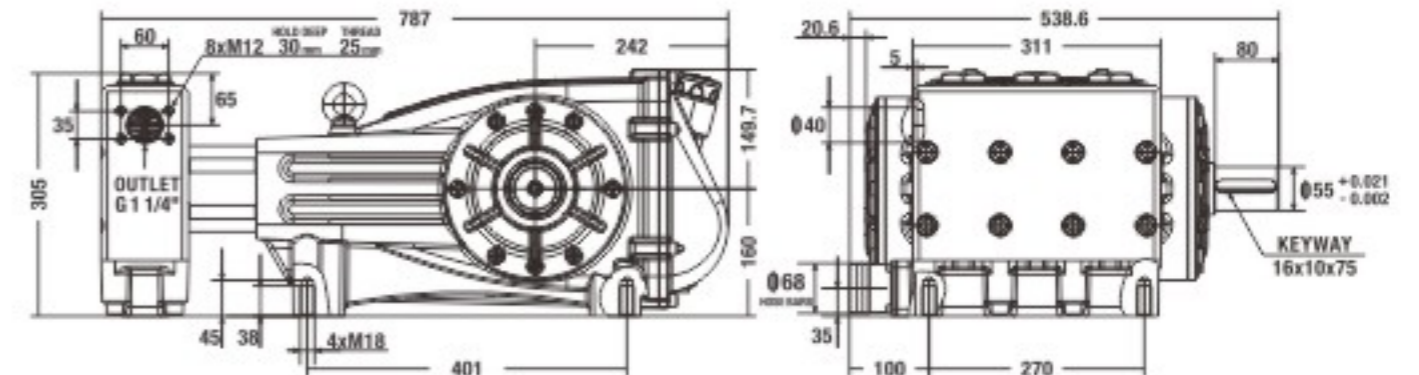
Importance

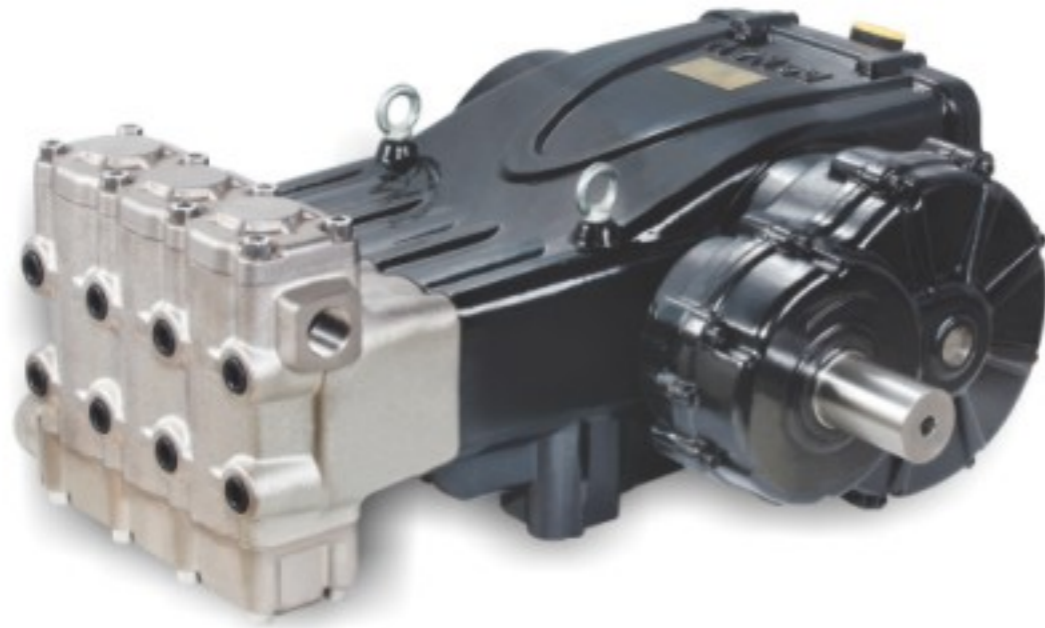
- Inlet Port: 2 1/2" BSP (Hose barb ϕ 68mm)
- Outlet Port: 1 1/4" BSP
- Oil Bath Capacity: 16L (half level of oil gauge)
- Oil Type: 85W/90 or greater GEAR OIL
- Water Inlet Pressure: 0-50psi/3.5bar
- Max Inlet Water Temp.: 50 °C/122 °F

Cutaway View



PUMP MODEL	MAX FLOW		MAX PRESSURE		INPUT RPM	POWER REQUIRED		SHIPPING WEIGHT		SHIPPING SIZE
	GPM	LPM	PSI	BAR		HP	KW	KGS	LBS	
DBN-5070	87.2	330	1810	125	800	109	80	270	595.2	82x67x35
DBN-5070	76.1	288	2030	140	700	109	80			
DBN-5070	65.3	247	2390	165	600	109	80			
DBN-4070	55.7	211	2900	200	800	109	80	270	595.2	82x67x35
DBN-4070	48.6	184	3190	220	700	109	80			
DBN-4070	41.7	158	2630	250	600	109	80			
DBN-3270	35.7	135	4350	300	800	109	80	270	595.2	82x67x35
DBN-3270	31.2	118	4930	340	700	109	80			
DBN-3270	26.7	101	4930	340	600	91	67.5			





MAIN FEATURES

<p>MANIFOLD Forged stainless steel 420</p> <p>OPTIONAL MATERIAL Nodular cast iron. Stainless steel 316L, Duplex 2205</p> <p>CRANKCASE Die-cast aluminum alloy, anodized.</p>	<p>CONNECTING ROD Aluminum forged, reinforced with bushing.</p> <p>PLUNGER Solid ceramic tube, features high precision and wear-resistance</p> <p>PACKING PARKER High-low dual pressure packing, with integrated cooling</p>	<p>CHECKING VALVE High volumetric efficiency, features spherical sealing areas.</p> <p>CRANKSHAFT Forged steel alloy, heat treatment, multiple process grinded.</p> <p>APPLICATIONS Municipal, environmental, mining sea water RO, food, drink, chemical, pharmaceutical etc.</p>
---	---	--

Applicable Valves

- **UNLOADER VALVE(#11)**
Max Pressure: 230bar/3330psi (Stainless Steel)
Max Flow: 500LPM/132GPM
Inlet/Outlet: 1 1/2"
Bypass Port: 1 1/2"



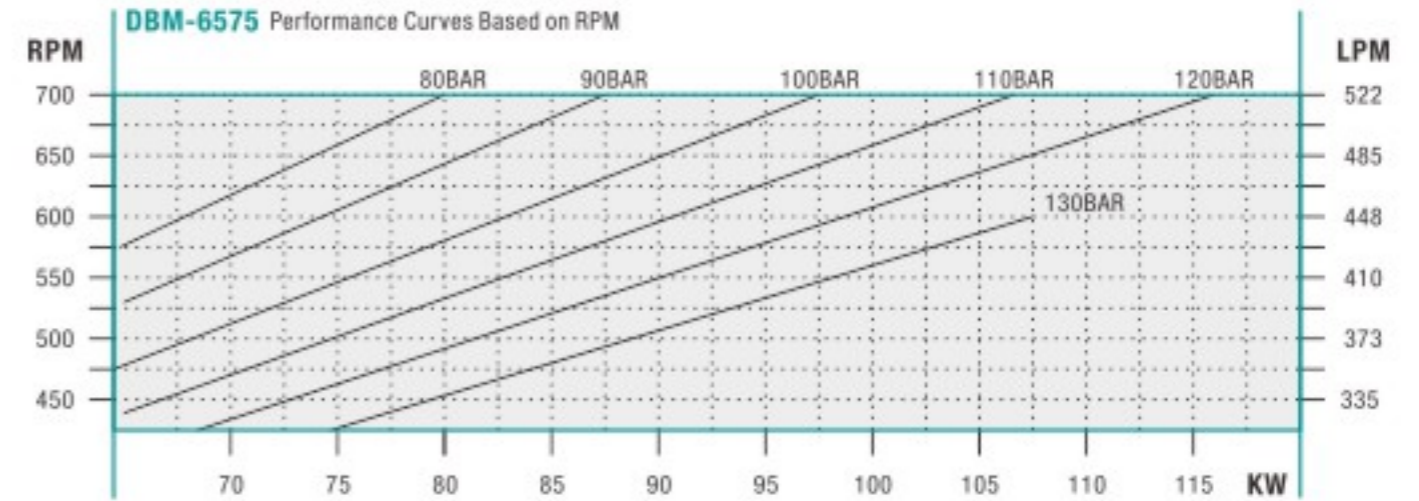
Other Versions

- **Gearbox reduction version**
Nodular cast iron case, black painting.
High-grade helical gear.
Reduction ratio: 2.16:1

Importance

- Inlet Port: 2 1/2" BSP (Hose barb ϕ 68mm)
- Outlet Port: 1 1/4" BSP
- Oil Bath Capacity: 22L (half level of oil gauge)
- Oil Type: 85W/90 or greater GEAR OIL
- Water Inlet Pressure: 0-50psi/3.5bar
- Max Inlet Water Temp.: 50 °C/122 °F

Cutaway View



PUMP MODEL	MAX FLOW		MAX PRESSURE		INPUT RPM	POWER REQUIRED		SHIPPING WEIGHT		SHIPPING SIZE
	GPM	LPM	PSI	BAR		HP	KW	KGS	LBS	
DBM-6575	132.1	500	1740	120	670	150	110	457	1007.5	112x78.5x75
DBM-6575	118.1	447	2000	138	600	150	110			112x94x75 ^{GEAR BOX}
DBM-6575	108.3	410	2000	138	550	141	105			
DBM-5575	94.6	358	2450	169	670	150	110	457	1007.5	112x78.5x75
DBM-5575	84.5	320	2510	173	600	138	102			112x94x75 ^{GEAR BOX}
DBM-5575	77.7	294	2700	186	550	138	101			
DBM-4075	49.9	189	4640	320	670	150	110	457	1007.5	112x78.5x75
DBM-4075	44.6	169	5080	350	600	150	110			112x94x75 ^{GEAR BOX}
DBM-4075	41	155	5080	350	550	136	100			

